

## Humidity Sensor and Fan Control

The new Leviton Humidity Sensor and Fan Control automatically detects excess humidity in a room and activates the ventilation fan to lessen condensation which helps reduce mold and mildew.

The sensor uses a microprocessor combined with state-of-the-art digital sensing technology to continuously monitor and manage humidity levels in areas of the home prone to condensation and mildew. It features user-friendly controls to adjust sensitivity, humidity level and time out settings. The sensor can replace a single pole switch and can be used with most bathroom or ventilation fans or fan/light combinations. It is designed to fit within a standard wallbox and requires a neutral wire for operation.

### Applications

Contemporary in design, the Humidity Sensor and Fan Control is the ideal solution for controlling ventilation in areas of high humidity, dampness or rooms prone to condensation and mildew such as:

- Bathrooms
- Basements
- Laundry Rooms
- Home Spas

The sensor also helps reduce energy usage by automatically operating the fan only when needed to control excess humidity.

### General Operation

**Automatic Humidity Control Mode** - The sensor will automatically turn the fan ON upon detecting excess humidity. The sensor will continue to monitor the ambient air and automatically turn the fan OFF when the humidity level has dropped.

**Manual Operation** - For immediate ventilation needs, the user can manually switch the fan ON or OFF by pressing the fan icon. The fan will run for 10 minutes and automatically turn OFF (time out period can be adjusted). If humidity levels change, the sensor will shift into automatic mode and time out accordingly.

**Air Cycle Mode** - The Air Cycle mode automatically turns ON a ventilation fan for a set period of time and repeats the cycle hourly. (eg. 20 minutes ON/40 minutes OFF each hour). This feature may be used in areas requiring periodic ventilation on a continuous basis such as basements, spas or public restrooms.



## Features and Benefits

### General

- Replaces a single pole switch for control of a ventilation fan or a fan/light combination
- Neutral wire is required for operation
- Microprocessor control with digital sensing technology
- Meets CALGREEN and CA Title 24 requirements; sensor is equipped with user adjustable humidity range set points to set the minimum humidity level at which the fan will automatically operate
- Automatic ventilation/Air Cycle mode for continuous operation with hourly pre-set time outs
- Green LED functions as a status indicator (Fan ON/OFF, Air Cycle mode, Manual Override)
- Compatible with Incandescent, LED, CFL and Fluorescent lighting loads
- Use with existing or new ventilation fans up to 1/6 HP, 3 Amp
- Screw terminals for easy installation
- Compatible with Decora® and Decora Plus™ wallplates
- Available in White, Ivory and Light Almond. Color change kits available

### Automatic Fan Control

- The sensor automatically detects excess humidity and activates a ventilation fan for control of excess condensation\*
- Built-in timer sets the **“minimum ON time”** for the ventilation fan. The sensor timer settings can be custom set to 10, 20, 30 or 45 minute intervals
- The sensor will continue to operate the fan for the minimum set time or until there is a reduction in room humidity level. This greatly reduces the chance of condensation developing
- Sensitivity level adjustment allows the user to adjust the sensitivity level of the sensor to prevent false cycling

### Installation Recommendations for Bath Fan Control

- It is recommended that in large spaces the IPHS5 Humidity Sensor and Fan Control be placed within close proximity to the shower/tub (steam/vapor source) to most effectively measure/monitor for excess humidity
- Ceiling heights in excess of 8 feet may affect the sensors' ability to properly detect shower/tub steam
- The sensor requires a closed room to properly operate. Opening a door during operation may temporarily interrupt the operating cycle
- Changes in season may affect operation of the sensor due to ambient air temperature and humidity. Please review the sensor instructions for sensitivity and humidity adjustment if required

### Manual Fan Control

- The device can be manually turned on by pressing the fan icon to address immediate ventilation needs. The fan will turn OFF automatically after 10 minutes or the set time out

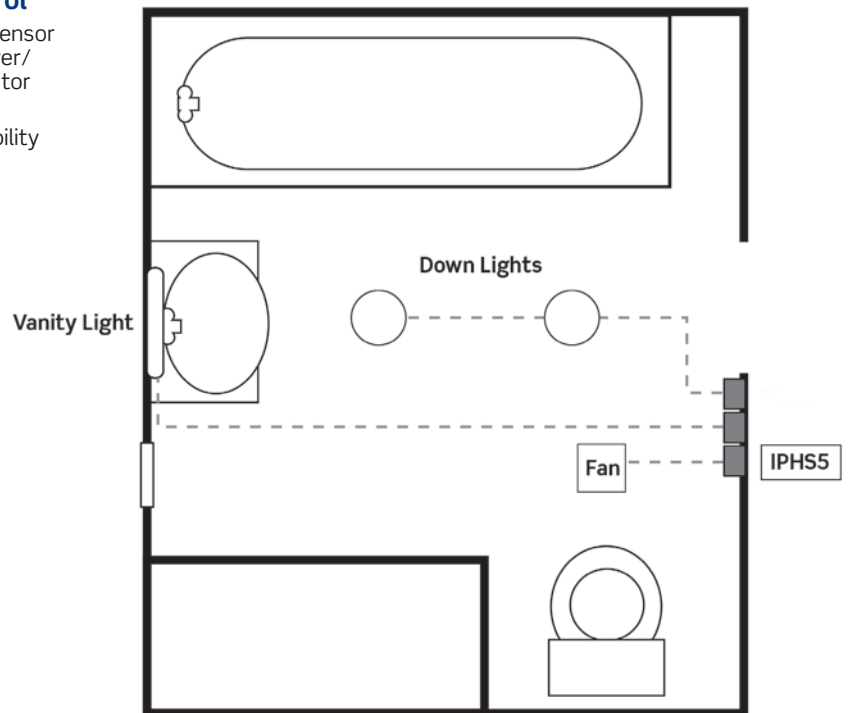
\* The Leviton Humidity Sensor and Fan Control will not independently eliminate condensation. It must be used with a properly sized and rated ventilation fan in an enclosed space.

### Ratings

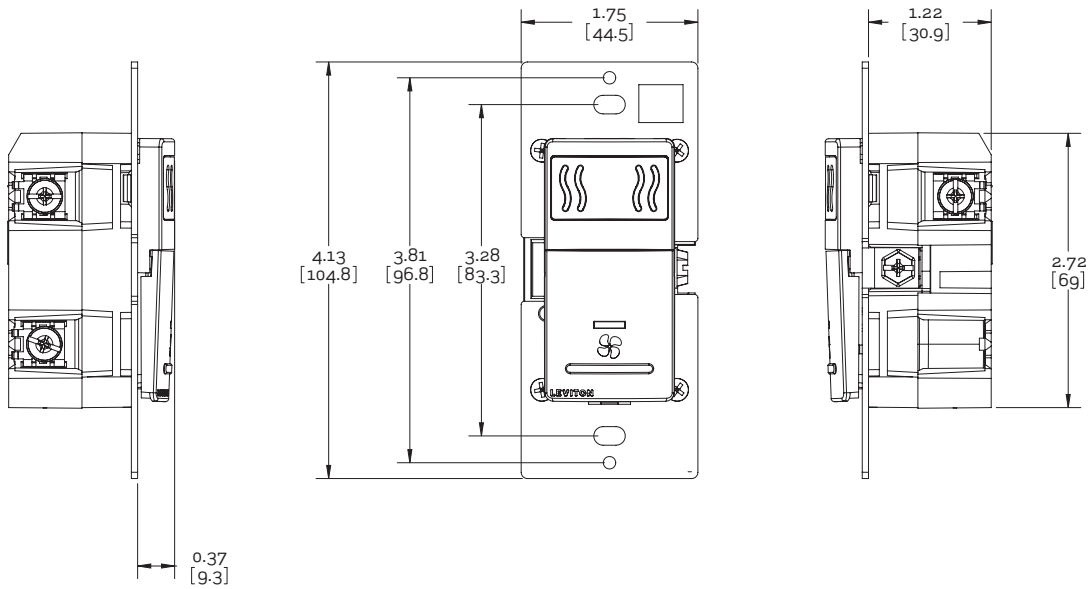
- 120VAC, 60Hz, Single Pole
- 600W Incandescent
- 150W LED, CFL
- 1/6 HP, (3A) Fan
- 400VA Inductive, Ballast

### Agency Standards and Compliance

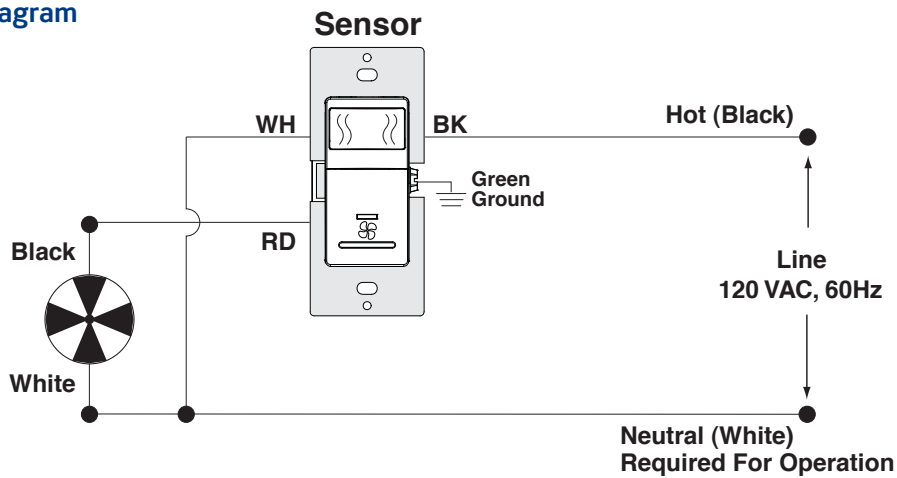
- cULus
- Standards UL 873 and C22.2 No. 24
- File No. E79658
- CALGREEN and CA Title 24 Compliant



## Dimensional Drawing

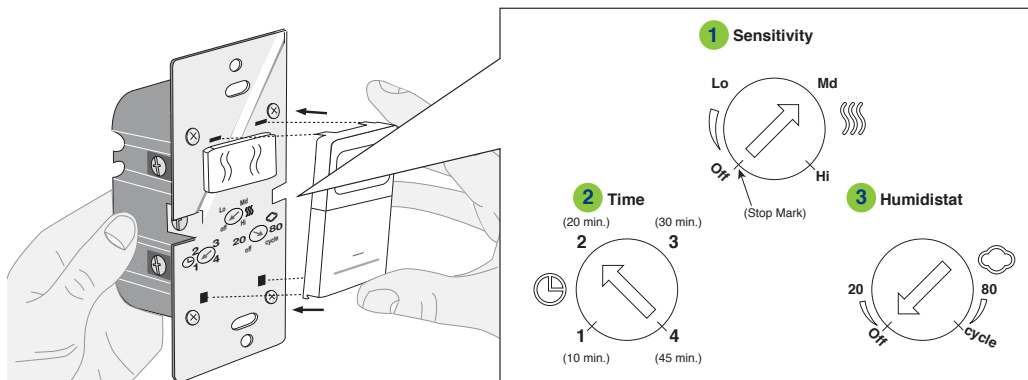


## Wiring Diagram



Cat. No. IPHS5

## User Adjustable Settings



1	SENSITIVITY	Adjust low, medium or high the sensitivity to ambient humidity changes
2	TIME	Adjust the minimum ON time of fan
3	HUMIDISTAT	Turn ON the air cycle or adjust the humidity set points